

高清一体化数字云台摄像机

HD All-in-One PTZ Camera

**KEDACOM**

快速安装指南

Quick Start Guide

## 一 前言

感谢您购买我司产品，如对本公司产品有疑问或需要，请随时和我们联系。

此内容（手册）的目的是确保用户正确使用本产品，以避免危险或财产损失。在使用产品之前，请认真阅读此手册并妥善保存以备日后参考。如果用户因没有按照以下安全说明，致使设备不能正常使用或损坏等情况，我司恕不负责，感谢您的配合。

## 二 安全说明

### 1. 电源要求

- 请在安装使用设备过程中，严格遵守当地各项电气安全规定。
- 请使用满足安全电压要求的电源，在设备运行之前检查供电电源是否正确。
- 请在安装配线时装入易于使用的断电设备，以便必要时进行紧急断电。
- 请保护电源软线免受踩踏或紧压，特别是在插头、电源插座和从装置引出的接点处。
- 请在断电状态下连接网络、电源等线缆，严禁在设备上电的情况下连线。

### 2. 使用环境要求

- 请勿将摄像机对准强光（如灯光照明、太阳光等处）聚焦，否则容易引起过亮或漏光现象（这并非摄像机故障）也将影响摄像机寿命。
- 请在允许的湿度和温度范围内运输、使用和存储设备。
- 请勿将设备置于潮湿、多尘、极热、极冷、强电磁辐射或照明条件不稳定等场所。
- 请勿让任何液体流入设备，以免内部元件受损。
- 请在运送设备时，重新以出厂时的包装进行包装，或用同等品质的材质包装。
- 请勿在运输、存储及安装过程中重压、剧烈震动、浸泡设备。
- 请勿安装在不牢固的支架、墙面、或屋顶上，否则会导致人机受损。

工作环境	
供电要求	AC 24V±10%，2.0A，50Hz
环境要求	防雷、防浪涌、防突波
工作温度	-30°C~+60°C
工作湿度	10%~95%，无冷凝

### 3. 日常维护与保养

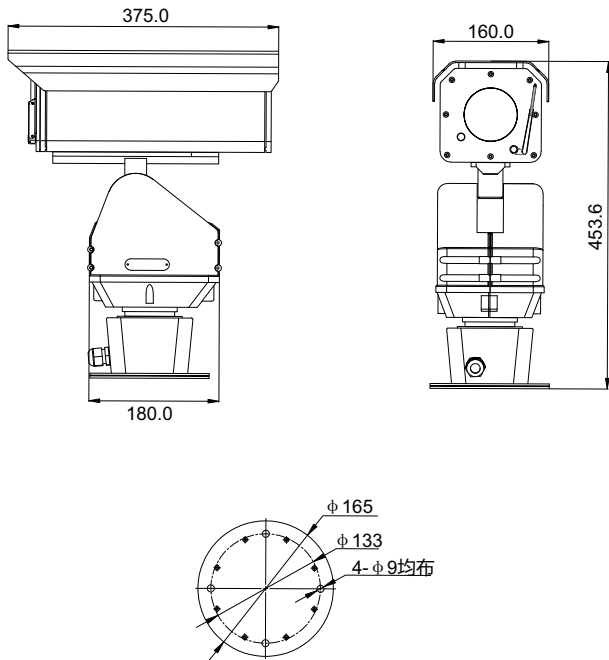
- 请勿直接触碰设备发热部件，以免烫伤。
- 镜头玻璃沾染灰尘或油脂时，用棉布或镜头清洁布擦拭。若遇污垢难以清除，蘸上少量镜片清洁液，自镜头中心向外旋转轻轻擦拭，直到干净为止。禁止使用有机溶剂（苯、酒精等）对镜头玻璃和护罩前脸进行除尘、清洁。
- 请不要以任何方式拆卸或修改产品。（对未经认可的修改或维修导致的问题，本公司不承担任何责任）。
- 如果设备工作不正常，请联系经销商或最近的服务中心。

### 4. 特别声明

- 本手册中的图示仅供参考，产品请以实物为准。
- 我们尽最大努力来保证本手册信息的正确性，如因升级等原因发生信息修改，恕不另行通知。
- 本手册能作为多个型号产品的使用指导，但并不一一列举每个产品的使用情况，请您根据实际产品自行对照。
- 本产品使用IPCSearch激活后方能使用（使用IPCSearch可在官网中下载，下载链接<https://www.kedacom.com/cn/softtools/index.jhtml>），激活时请填写有效邮箱，方便找回密码。强烈建议您将密码设置为强密码：由数字、大/小写字母或特殊符号中两种或两种以上类型组合而成，且密码长度满足8-16位。请您定期更改用户名的密码，建议每3个月更新一次密码。如果设备在较高安全风险的环境中使用，建议每月或每周更新一次。请妥善保管好您的用户名与密码。
- 如需获取最新文档，请至官网下载，官网地址[www.kedacom.com](http://www.kedacom.com)。

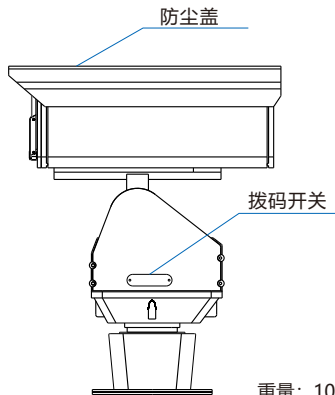
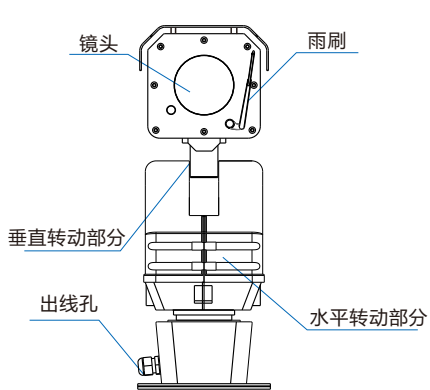
### 三 设备外观

#### 外观尺寸



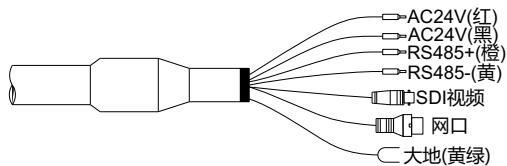
单位: mm

## 部件说明



**【说明】** 若有拨码需求，请参考用户手册相关拨码章节。

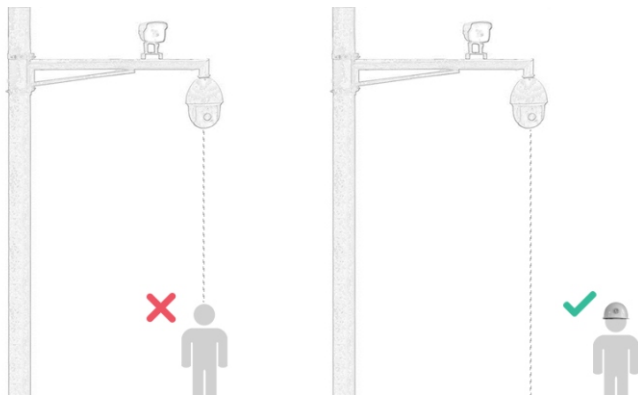
## 尾线说明



## 四 设备安装

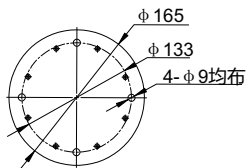
### 1. 安装注意事项

- 确认安装地点有容纳本产品及其安装结构件的足够空间。
- 请确保安装云台的墙壁的承受能力必须能支撑云台及其安装结构件重量的8倍。
- 没有限高通行的路段，建议摄像机安装高度不低于5米，减少摄像机被碰擦的风险。
- 防止设备掉落，安装摄像机时必须安装安全绳。
- 施工期间禁止人员在摄像机下方2米内活动，并请佩戴好安全帽等防护装备。



## 2. 安装方式

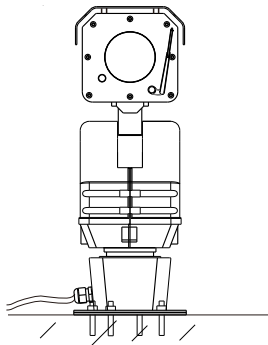
### • 安装底板尺寸



单位: mm

### • 安装步骤

- 1) 参照安装底板的定位孔在地面上打孔;
- 2) 将装有安装底板的云台固定在地面上, 尾线根据实际需求进行固定;
- 3) 安装完成后, 进行接线。检查完毕后设备上电, 可进行其他操作。



## 五 登录客户端

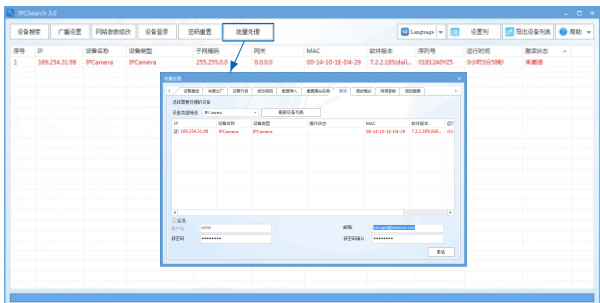
### 1. 最低配置和系统环境

- 处理器：Intel 酷睿®i5 系列及以上或相同性能的其他处理器
- RAM内存：8GB DDR4 及以上
- 硬盘：SATA固态或高速M.2
- 显卡：支持4K分辨率的显示器
- 操作系统：Windows7 操作系统或更高版本
- 浏览器：推荐使用IE内核浏览器，使用其他内核浏览器会影响客户端部分功能的使用
- DirectX：11.0

### 2. 设备激活

第一次使用时请安装运行 IPCSearch，在 IPCSearch 中将显示设备的 IP 地址、网关等信息。若 IPC 设备所接入的网络有 DHCP 服务，DHCP 服务器将自动给 IPC 设备分配 IP 地址。

- 批量激活：在 IPCSearch 中选中设备，点击**批量处理**，在弹出的界面中设置 admin 用户的密码和找回密码时所需的邮箱，点击**激活**，激活设备。待设备重启。
- 单个激活：在 IPCSearch 中选择设备，单击右键，选择**设备激活**。填写用户名、密码、找回密码时所需的邮箱。点击**激活**，激活设备。待设备重启。
- Web 客户端激活：将 PC 机 IP 地址与设备 IP 地址设为同一网段，进入 Web 端登录界面。可在该界面设置管理员和找回密码所需的邮箱，点击**激活**，激活设备。







### 3. 修改设备 IP

点击**修改网络参数**，在弹出的界面中配置网络参数。静态分配 IP 地址时，请选择自定义地址，填写以太网参数。修改参数配置，需要填写管理员用户用户名（admin）及激活设备时设置的密码。完成 IP 配置后，设备将自动重启。

### 4. 登录设备

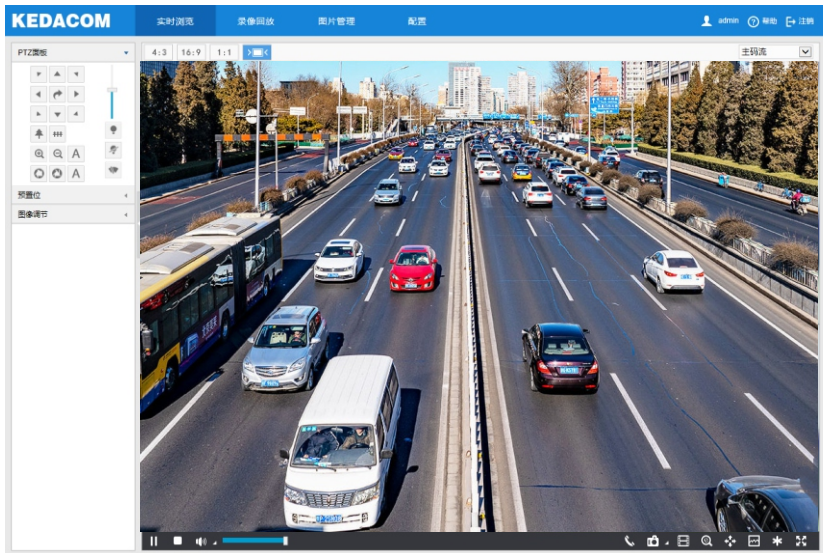
1) 在 IPCSearch 中双击设备或点击**设备登录**，输入用户名和密码，登录 Web 客户端；



2) 登录成功后，根据提示下载并安装视频插件；

3) 进入客户端后，便可直接浏览图像。

**【说明】**不同型号的设备，浏览界面略有差异，请以实际界面为准。更多客户端操作说明请参考客户端帮助文档。



## 保修说明

本保修卡适用于您购买的本公司系列产品。

- 1.免费保修期一年（仅限中国大陆地区，中国大陆以外地区请参考英文说明）。
- 2.凡保修期内，由于本产品自身引起的故障，请与公司售后服务部联系。
- 3.保修时我们将使用您的保修卡信息，请认真填写。
- 4.以下情况，属于有偿保修范围：
  - 人为原因造成的设备故障
  - 因使用环境不符合本产品要求造成的故障
  - 因不可抗力造成的产品损坏
  - 无保修卡
  - 已过免费保修期

## 用户信息

用户名称：

详细地址：

传真：

电话：

邮箱：

邮编：

产品名称：

产品型号：

购买日期：

## I. Preface

Thank you for purchasing our product. If there is any question, please do not hesitate to contact us.

These instructions are intended to ensure that the user can use the product correctly to avoid danger or property loss. Please read this Guide carefully before using the product, and keep it properly for future reference. If the product cannot work normally or is damaged because the user does not follow the safety instructions, we shall not assume any responsibility. Thanks for your cooperation.

## II. Safety Instruction

### 1. Power Supply

- During installing and using the device, please follow local electrical safety regulations strictly.
- Please use power supply in the safe voltage range of our product. Make sure if the power supply is correct before running the device.
- Please install an easy-to-use breaker during installation and wiring in case it is necessary to make an emergency break.
- Please prevent the power cord from being trampled or pressed especially the plug, socket and the connecting part led out from the device.
- Please connect network cables or power cord with the power off. Hot-line wiring is not allowed.

### 2. Working Environment

- Do not focus the camera lens on strong light such as the sun or incandescent lamp; otherwise the strong light will cause overexposure or light leak (not camera malfunction), which may shorten camera lifetime.
- Please transport, use and store the device within defined humidity and temperature ranges.
- Do not expose it in damp, dusty, extremely hot or cold places or places with intense electromagnetic radiation or with unstable lighting.
- Keep the camera away from water or any liquid to avoid damage to internal components.
- While shipping the camera, pack it in the factory packing or use materials with equivalent quality.
- When shipping, storing and installing the device, try to prevent it from damages caused by pressure, violent vibration and soaking.
- Do not install the device on unstable bracket, wall or roof, otherwise damage or injury may be caused to the device or the people.

<b>Working Environment</b>	
<b>Power Supply</b>	AC24V±10%, 2.0 A, 50 Hz
<b>Condition</b>	Lightning Protection, Over-current Protection
<b>Temperature</b>	-30°C~+60°C
<b>Humidity</b>	10%~95%, non-condensing

### 3. Daily Maintenance

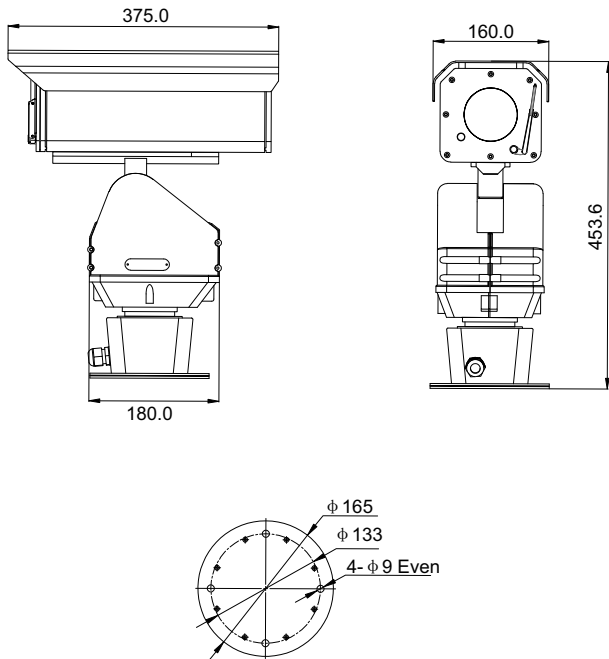
- Do not touch the heat component of the device directly to avoid erysipelas.
- When the lens is contaminated by dust or grease, use cotton cloth or lens clean cloth to wipe it off. When it is hard to clean, dip some lens cleanser and wipe gently and rotate outward from the middle until it is clean. Never apply any organic solvent such as ethanol or benzene to clean the lens and housing.
- Do not disassemble or repair the device in any way by yourself. We shall not assume any responsibility for problems caused by unauthorized repair or maintenance.
- If the product does not work properly, please contact your dealer or the nearest service center.

### 4. Special Statement

- The product appearance is subject to the actual device and picture in this Guide is for reference only..
- Every effort has been made to ensure the accuracy and validity of this Guide. Any update of this Guide caused by version upgrade is subject to change without notice.
- This Guide is made for multiple models but it will not illustrate one by one. Please refer to it according to the actual products you are using.
- This device can be used after being activated through IPCSearch (download it from <https://www.kedacom.com/cn/softtools/index.jhtml>). During activation please fill a valid email address for finding back the password.
- To ensure the safety of device on internet, it is strongly recommended that you set a strong password which is composed of at least 2 kinds of the following, numbers, upper-case or lower-case letters or specific symbols, with length of 8 to 16 bits. Please modify the password periodically and once every 3 months is recommended. If the device is used in highly risky environment, suggest modifying the password monthly or weekly. Please keep your user name and password safe.
- For the latest documents, please download at our website [www.kedacom.com](http://www.kedacom.com).

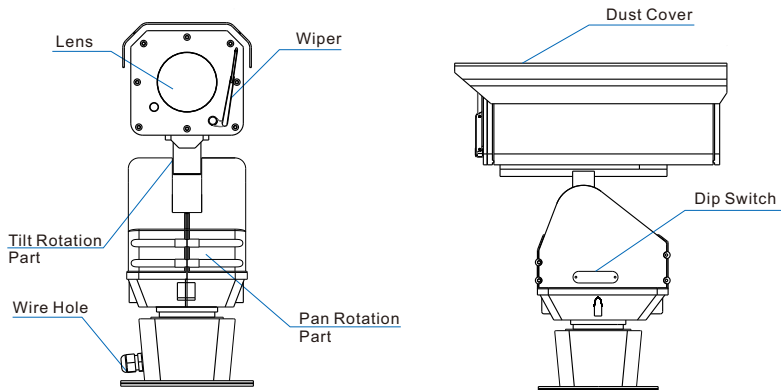
### III Appearance

#### Dimensions



Unit: mm

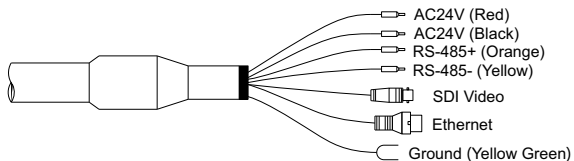
## Components



Weight: 10kg

[Note] When it's necessary to dip, refer to the introduction in the *User Manual*.

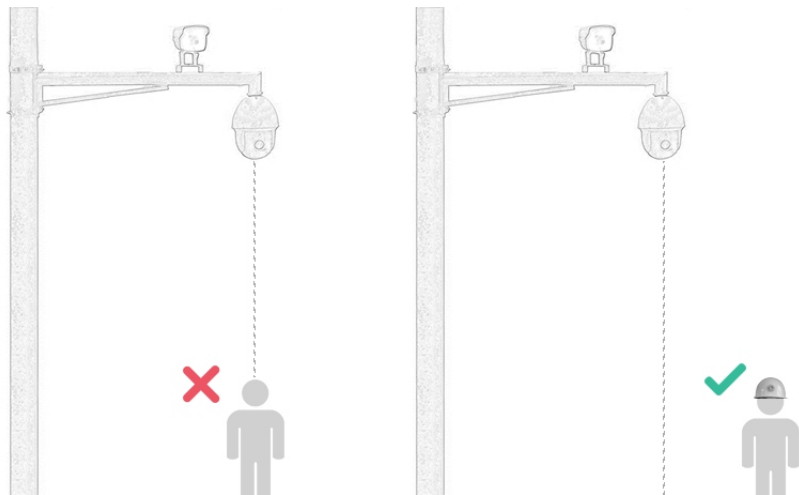
## Tail Circuit



## IV. Installation

### 1. Safety Instructions

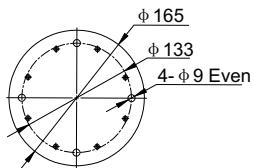
- Make sure there is enough space for mounting the camera and its accessories.
- Make sure the wall or cross-bar can bear the weight as heavy as 8 times of the total weight of the camera and the accessories.
- On roads without height limits, the suggested installation height of the camera should be higher than 5m so as to reduce friction to the camera.
- To prevent the device from dropping, the camera must be installed with a safety hook during installation.
- During installation, no man shall be allowed to move around in 2m under the camera, and all men should wear a safety helmet.





## 2. Mount Method

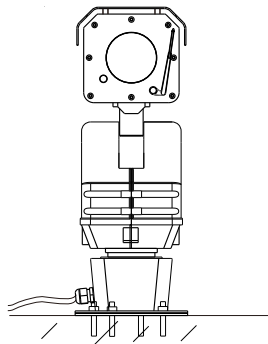
- Size of the base



Unit: mm

- Installation steps

- 1) According to the holes on the base, drill holes on the ground;
- 2) Fix the PTZ camera with a base to the ground and fix the tail circuit according to actual request;
- 3) After finish installation, connect the wires. Examine and power on the device for other operations.



## V. Login to the Device

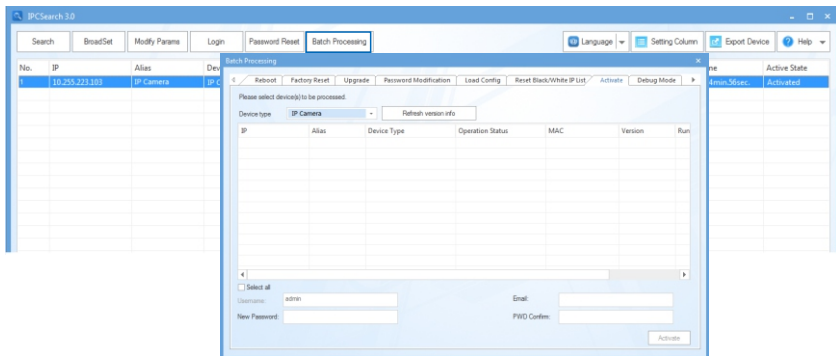
### 1. Minimum system configuration and environment requirements:

- Processor: Intel CORE®i5 series or other equivalent processors
- RAM Memory: 8 GB DDR4 or above
- Hard Disk: SATA solid-state or high-speed M.2
- Display Card: monitors supporting 4K resolution
- Operating System: Windows 7 or higherer versions
- Browser: recommend IE kernel browsers, otherwise some functions of the web client may fail
- DirectX : 11.0

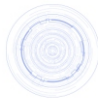
### 2. Device Activation

When using the device for the first time, run IPCSearch and it will search devices in LAN automatically and display the list of device IP address, gateway and etc. If the network provides DHCP service, DHCP server will assign IP for the camera automatically.

- Batch: Select the device and click "**Batch processing**". In the popup interface, set admin user's password and the email address to find back the password. Click "**Activate**" and wait for rebooting.
- Individual: Select the device from IPCSearch and right click to select "**Active**". Fill admin user name and password and the e-mail address to find back the password. Click "**Activate**" and wait for rebooting.
- Web client: the device can also be activated through the web client. Set PC and the device in the same network segment and login to the web. User can set admin password and password reset email on the interface and click "**Activate**".



**Login**



Weak Strong

Please choose a password with 8-16 characters. Your password must also contain two or more combinations of upper and lowercase letters, numbers, and symbols.

When admin's password gets lost, find it back through this email. Make sure this email address is safe and valid.

**Active**

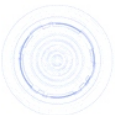
### 3. Modify Device IP Address

Click **"Modify Params"** and set the network parameters. When configuring a static IP for the camera, please check **"Custom device address (Close DHCP)"** and fill the Ethernet parameter. During the modification, the user name (admin) and the password set before activation should be entered. After configuration, the camera will reboot automatically.

### 4. Login to the Device

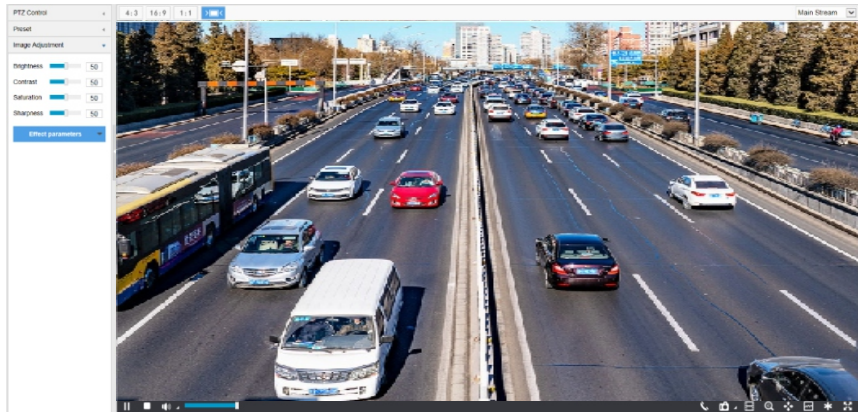
- 1) Double click the device in IPCSearch or click **"Login"**. Enter user name and password to login the web client.
- 2) After login, download and install the plug-in.
- 3) Re-login to the web client and view live video directly.

**Login**



**Login**

[Note]: Interface of different models may differ. Please subject to the actual products. Please refer to the *Help* file for detailed explanation.



## **Kedacom Two (2) Year Limited Hardware Warranty**

### **WHAT IS COVERED BY THIS WARRANTY?**

Kedacom warrants the Kedacom-branded hardware product and accessories contained in the original packaging (hereinafter referred to as "Kedacom Product") against defects in materials and workmanship when used normally in accordance with Kedacom's published guidelines for a period of TWO (2) YEARS from the date of original retail purchase in areas other than mainland China by the end-user purchaser (hereinafter referred to as "Warranty Period"). For the Kedacom Product purchased in mainland China, see the simplified Chinese version of this warranty for details. Kedacom's published guidelines include but are not limited to information contained in technical specifications, user guides, and service communications. The preceding applies unless otherwise agreed in the contract.

### **WHAT IS NOT COVERED BY THIS WARRANTY?**

This warranty does not apply to any non-Kedacom branded hardware products or any software, even if packaged or sold with Kedacom hardware. Manufacturers, suppliers, or publishers, other than Kedacom, may provide their own warranties to you but Kedacom, in so far as permitted by law, provides their products "AS IS". Software distributed by Kedacom with or without the Kedacom brand (including, but not limited to system software) is not covered by this warranty. Please refer to the licensing agreement accompanying the software for details of your rights with respect to its use. Kedacom does not warrant that the operation of the Kedacom Product will be uninterrupted or error-free. Kedacom is not responsible for damage arising from failures to follow instructions relating to the Kedacom Product's use.

This warranty does not apply: (a) to consumable parts, such as batteries, unless failure has occurred due to a defect in materials or workmanship; (b) to cosmetic damage, including but not limited to scratches, dents, and broken plastic on ports; (c) to damage caused by use with another product; (d) to damage caused by acts outside the control of Kedacom, including without limitation acts of God, accidents, abuse, misuse, fire, storms, earthquakes, flood, or other external cause; (e) to damage caused by exposure of the product to heat, bright light, sun, liquids, sand, or other contaminants; (f) to damage caused by operating the Kedacom Product outside Kedacom's published guidelines; (g) to damage caused by service (including upgrades and expansions) performed by anyone other than a representative of Kedacom, Kedacom employee, or authorized Kedacom agent; (h) to an Kedacom Product that has been modified to alter functionality or capability without the written permission of Kedacom; (i) to defects caused by normal wear and tear or otherwise due to the normal aging of the Kedacom Product, or (j) if any serial number has been removed or defaced from the Kedacom Product.

### **YOUR RESPONSIBILITIES**

If your Kedacom product is capable of storing data and other information, you should make periodic backup copies of the information contained on the storage media to protect the contents and as a precaution against possible operational failures.

Before receiving warranty service, Kedacom or its authorized agents may require that you furnish proof of purchase details, respond to questions designed to assist with diagnosing potential issues, and follow Kedacom's procedures for obtaining warranty service. Before submitting your Kedacom Product for warranty service, you should maintain a separate backup copy of the contents of its storage media, remove all personal information that you want to protect, and disable all security passwords.

During warranty service, it is possible that the contents of the Kedacom product's storage media will be lost, replaced or reformatted. In such an event, Kedacom and its authorized agents are not responsible for any loss of data or other information contained on the storage media or any other part of the Kedacom product serviced.

Following warranty service, your Kedacom Product or a replacement product will be returned to you as your Kedacom Product was configured when originally purchased, subject to applicable updates. You will be responsible for reinstalling all other data and information. Recovery and reinstallation of other data and information are not covered under this warranty.

### **WHAT WILL KEDACOM DO IF THE WARRANTY IS BREACHED?**

If during the Warranty Period, you submit a valid claim to Kedacom or an authorized Kedacom agent, Kedacom will, at its option, (i) repair the Kedacom Product using new or previously used parts that are equivalent to new in performance and reliability, or (ii) exchange the Kedacom Product for a refund of your purchase price.

A Kedacom replacement part or product, including a user-installable Kedacom part that has been installed in accordance with instructions provided by Kedacom, assumes the remaining warranty of the Kedacom Product or ninety (90) days from the date of replacement or repair, whichever provides longer coverage for you. When a product or part is replaced or a refund provided, any replacement item becomes your property and the replaced or refunded item becomes Kedacom's property.

Kedacom reserves the right to refund the purchase price as its exclusive warranty remedy.

### **HOW TO OBTAIN WARRANTY SERVICE?**

To seek warranty service, please contact a local authorized Kedacom agent. When contacting the agent via telephone, other charges may apply depending on your location.

### **User Information**

Complete the form below and keep for ready reference.

User Name:	
Address:	Postal Code:
Tel:	Mobile:
Fax:	E-Mail:
Product Name:	Product Model:
Date of Purchase:	



客户咨询热线：400-828-2866

**KEDACOM**

苏州科达科技股份有限公司

Suzhou Keda Technology Co.,Ltd.

中国: 江苏省苏州市高新区金山路131号(215011)

Tel: +86-512-6841 8188 Fax: 86-512-68412699

Suzhou Keda Technology Co.,Ltd.

Singapore: 627A Aljunied Road, #09-07, BizTech Centre, Singapore 389842

Tel: +65-6842-5700 Fax: +65-6842-5900

05.03.800946 (V2.2) 20200513